

LS6 NEW



LS series reliability and performance with improved operating ease

- Built-in Ethernet port on arm for easier camera connectivity
- Batteryless motor unit for reduced maintenance
- Diagonally oriented rear ducting for a lower profile that helps reduce installation space requirements

Model Number **LS6 - B60 2 S**

Payload
6 : 6kg

Environment
S : Standard
C : Cleanroom

Arm length
50 : 500mm
60 : 600mm
70 : 700mm

Joint #3 stroke
2 : 200mm: Standard-model
2 : 170mm: Cleanroom-model (with bellows)

Specifications

Model name		LS6-B		
Model number		LS6-B502S/C	LS6-B602S/C	LS6-B702S/C
Arm length	Arm #1, #2	500 mm	600 mm	700 mm
Payload ^{*1}	Rated	2 kg		
	Maximum	6 kg		
Repeatability	Joints #1, #2	±0.02 mm		
	Joint #3	±0.01 mm		
	Joint #4	±0.01 deg		
Standard cycle time ^{*2}		0.39 sec	0.40 sec	0.42 sec
Max. operating speed	Joints #1, #2	7120 mm/sec	7850 mm/sec	8590 mm/sec
	Joint #3	1100 mm/sec		
	Joint #4	2000 deg/sec		
Joint #4 allowable moment of inertia ^{*3}	Rated	0.01 kg·m ²		
	Maximum	0.12 kg·m ²		
Joint #3 down force		100 N		
Installation environment		Standard or Clean ^{*4}		
Mounting type		Table Top Mounting		
Weight(cables not included)		17 kg		18 kg
Applicable Controller		RC90-B		
Installed wire for customer use		D-sub 15 pin x1 , RJ45 8 pin (Cat 5e Class) x1		
Installed pneumatic tube for customer use		Φ4 mm × 1, Φ6 mm × 2		
Power		AC200-240 V Single phase		
Power Consumption ^{*5}		1.1 kVA		
Cable length		3 m/5 m/10 m		
Safety standard		CE, KC		

*1 : Do not apply the load exceeding the maximum payload.

*2 : Cycle time based on round-trip arch motion (300mm horizontal, 25mm vertical) with Accel 120% and 2 kg payload (path coordinates optimized for maximum speed). Rounded down to the third decimal place.

*3 : If the center of gravity is at the center of each arm. If the center of gravity is not at the center of each arm, set the eccentric quantity using INERTIA command.

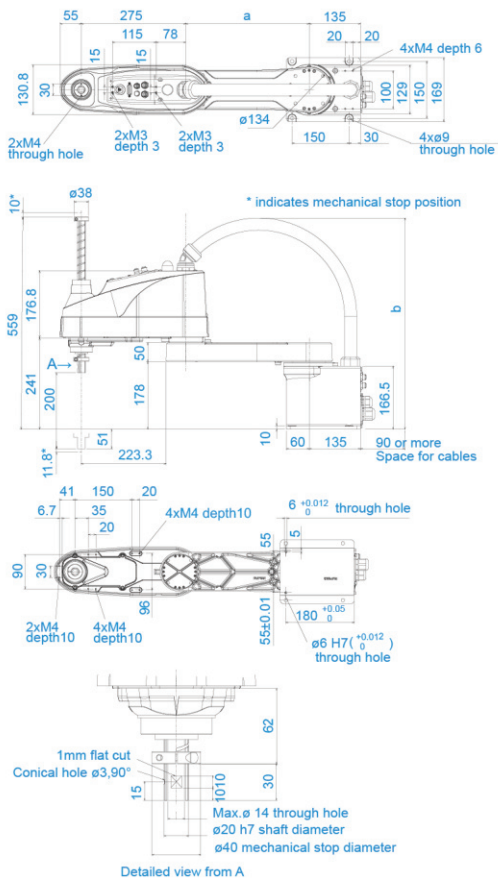
*4 : Complies with ISO Class 4 cleanroom standards.

*5 : It depends on environment and motion program.

Outer Dimensions (Table Top Mounting)

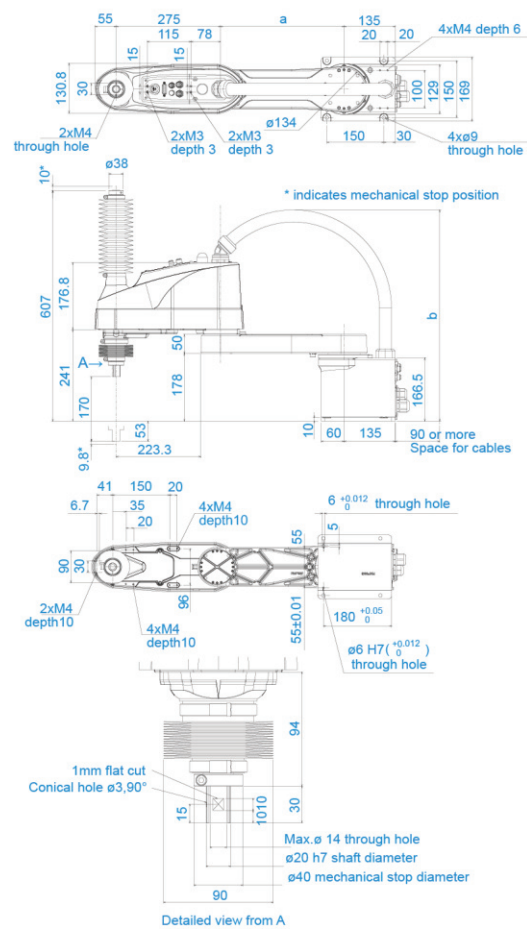
[Unit: mm]

Standard-model



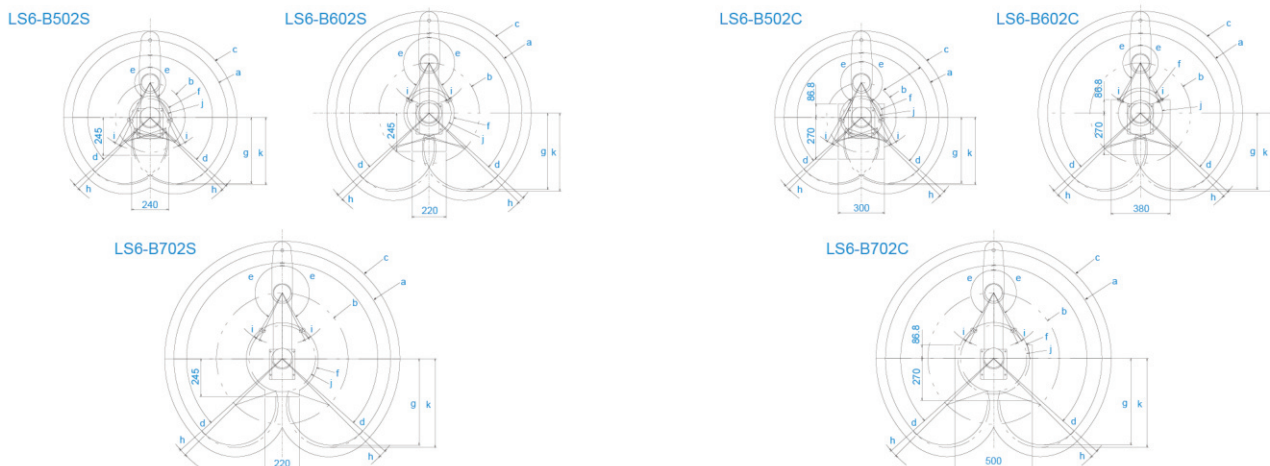
	LS6-B502S	LS6-B602S	LS6-B702S
a	225	325	425
b	529	559	589

Cleanroom-model



	LS6-B502C	LS6-B602C	LS6-B702C
a	225	325	425
b	529	559	589

Motion Range (Table Top Mounting)



Model	LS6-B502□	LS6-B602□	LS6-B702□
a Arm #1 + Arm #2 length (mm)	500	600	700
b Arm #1 length (mm)	225	325	425
c Max. motion range (mm)	556	656	756
d Joint #1 motion angle (°)		132	
e Joint #2 motion angle (°)		150	
f Motion range (mm)	138.1	162.6	232
g Motion range at the rear (mm)	425.6	492.5	559.4
h Angle of the Joint #1 mechanical stop (°)		2.8	
i Angle of the Joint #2 mechanical stop (°)		4.2	
j Mechanical stop area (mm)	121.8	142.5	214
k Mechanical stop area at the rear (mm)	433.5	504	574.5